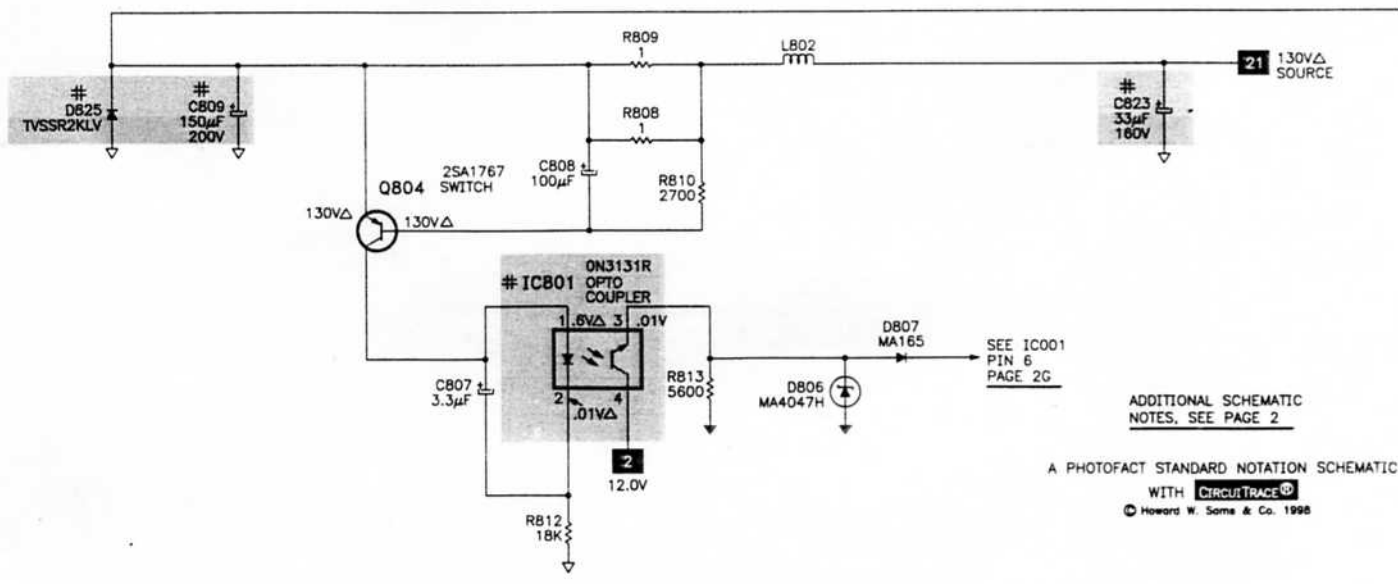
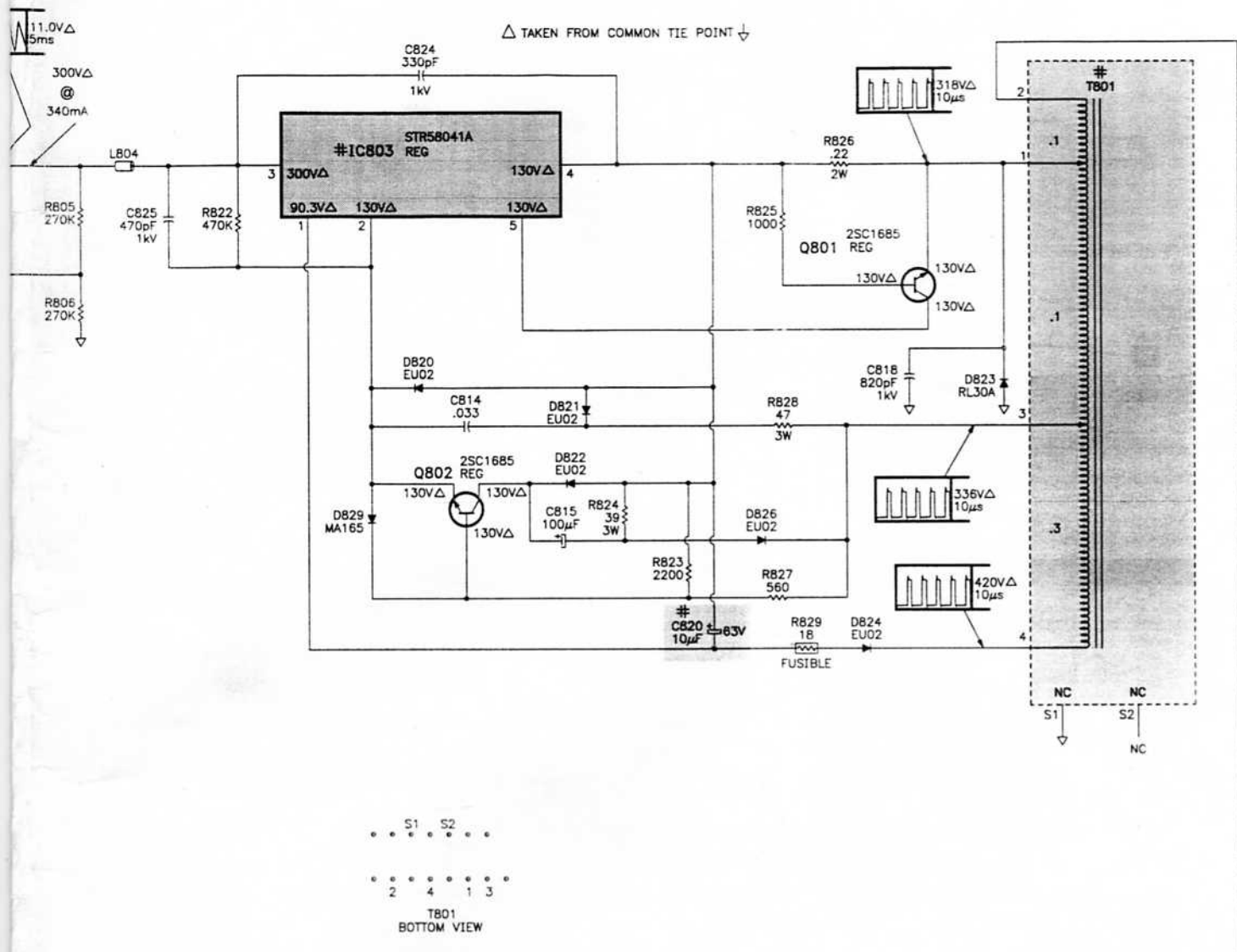
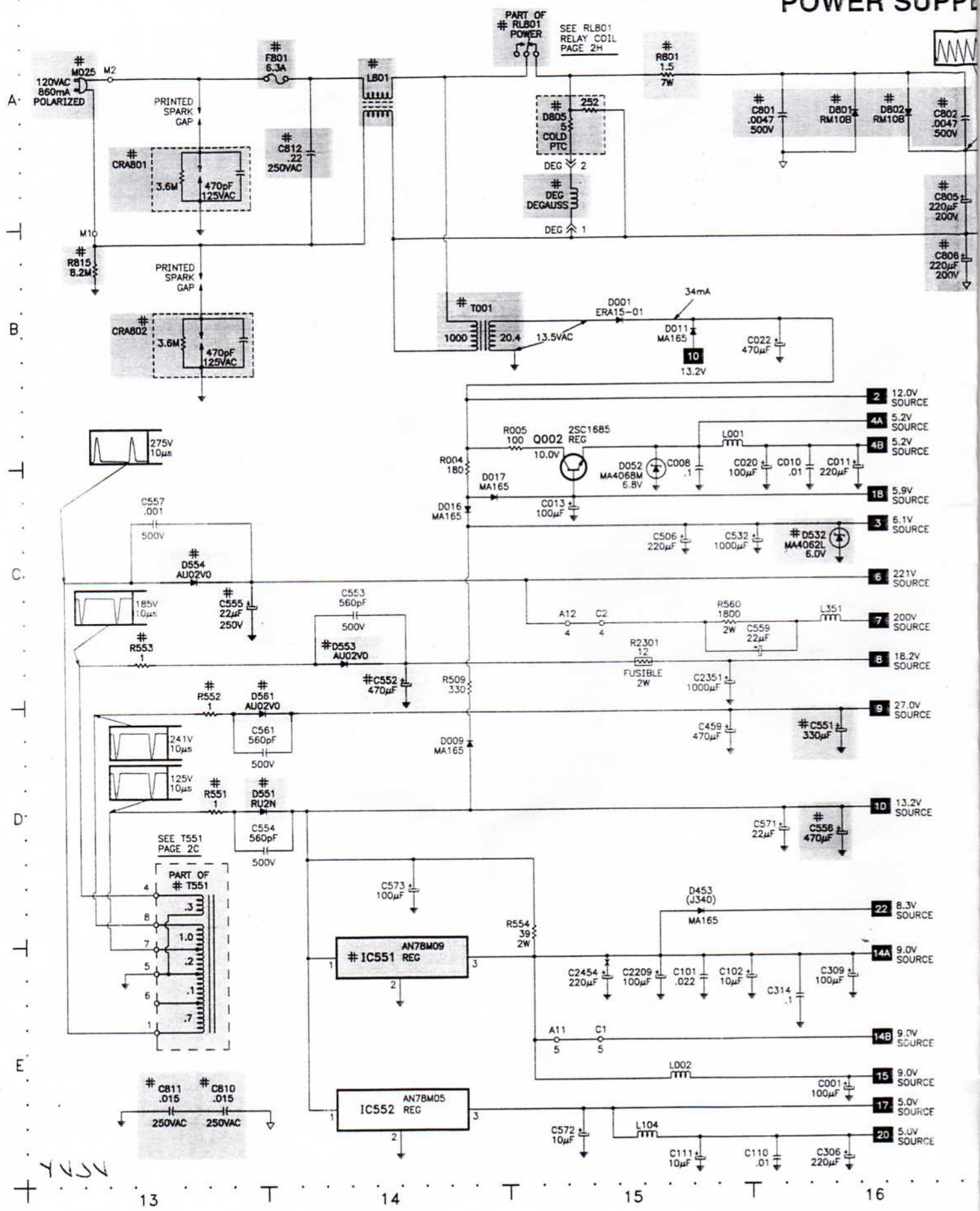
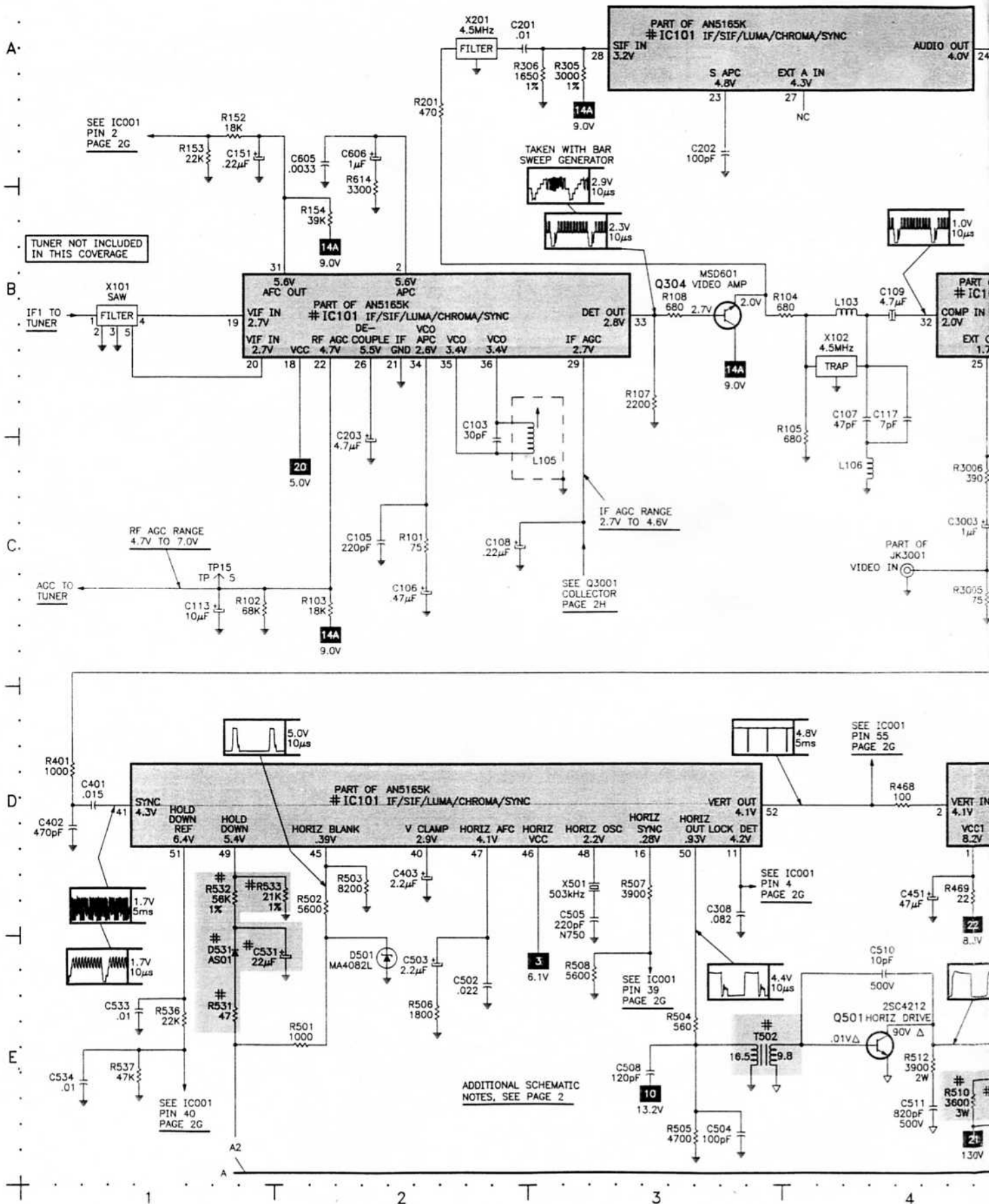


# SCHEMATIC





YUJV



TUNER NOT INCLUDED IN THIS COVERAGE

TAKEN WITH BAR SWEEP GENERATOR

SEE IC001 PIN 2 PAGE 2G

SEE IC001 PIN 55 PAGE 2G

RF AGC RANGE 4.7V TO 7.0V

IF AGC RANGE 2.7V TO 4.6V

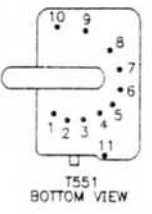
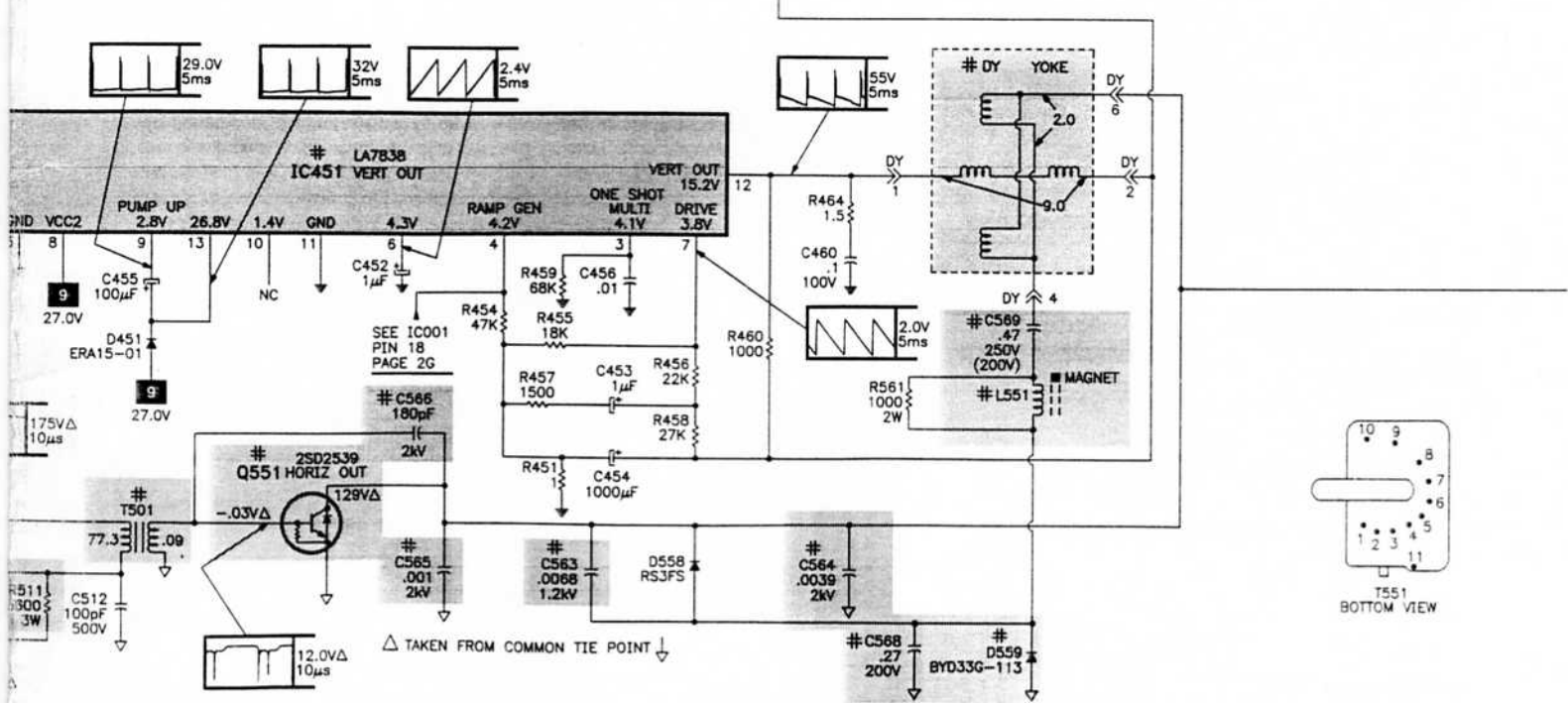
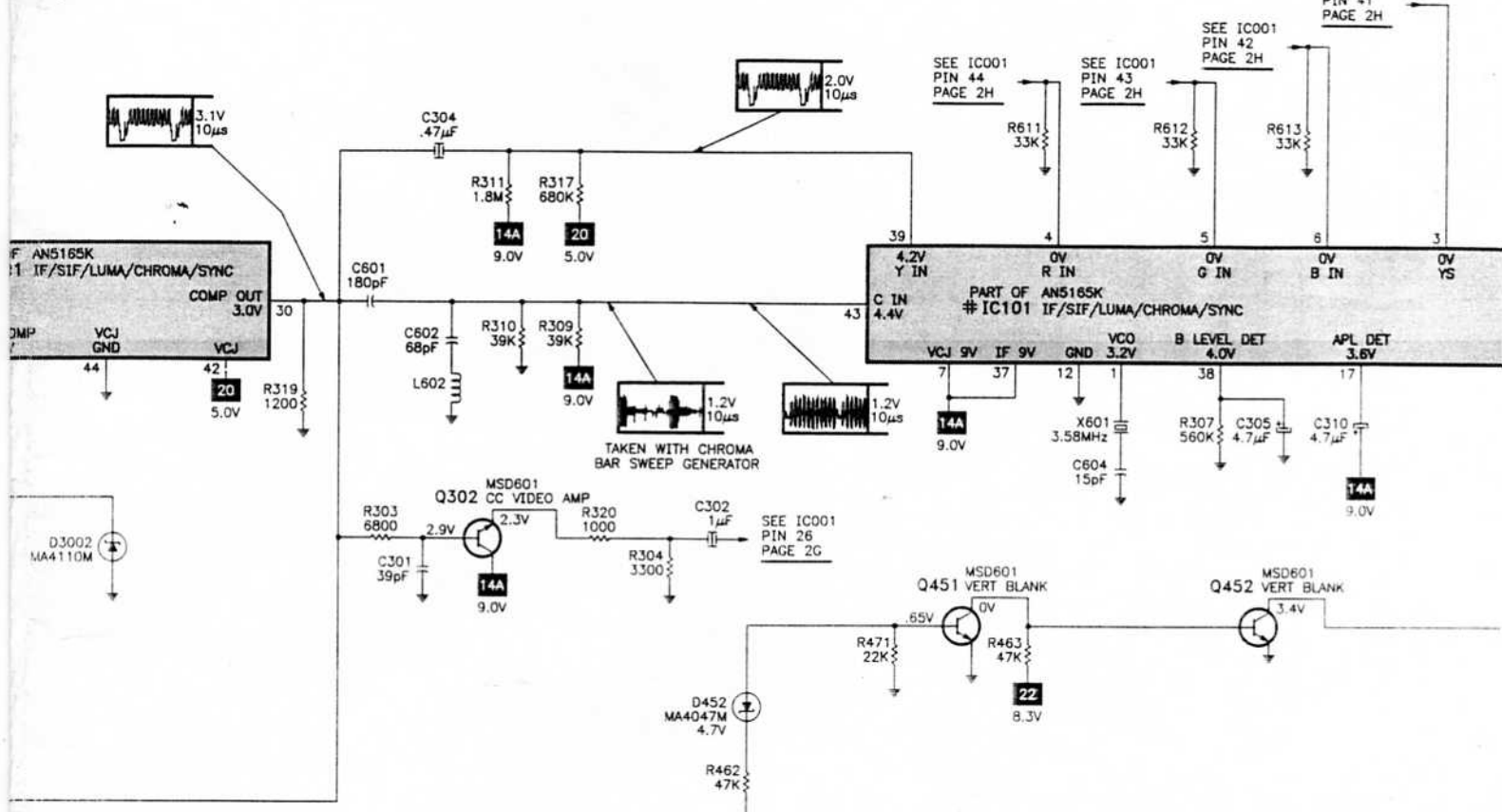
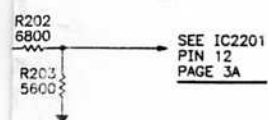
SEE IC001 PIN 40 PAGE 2G

ADDITIONAL SCHEMATIC NOTES, SEE PAGE 2

SEE IC001 PIN 4 PAGE 2G

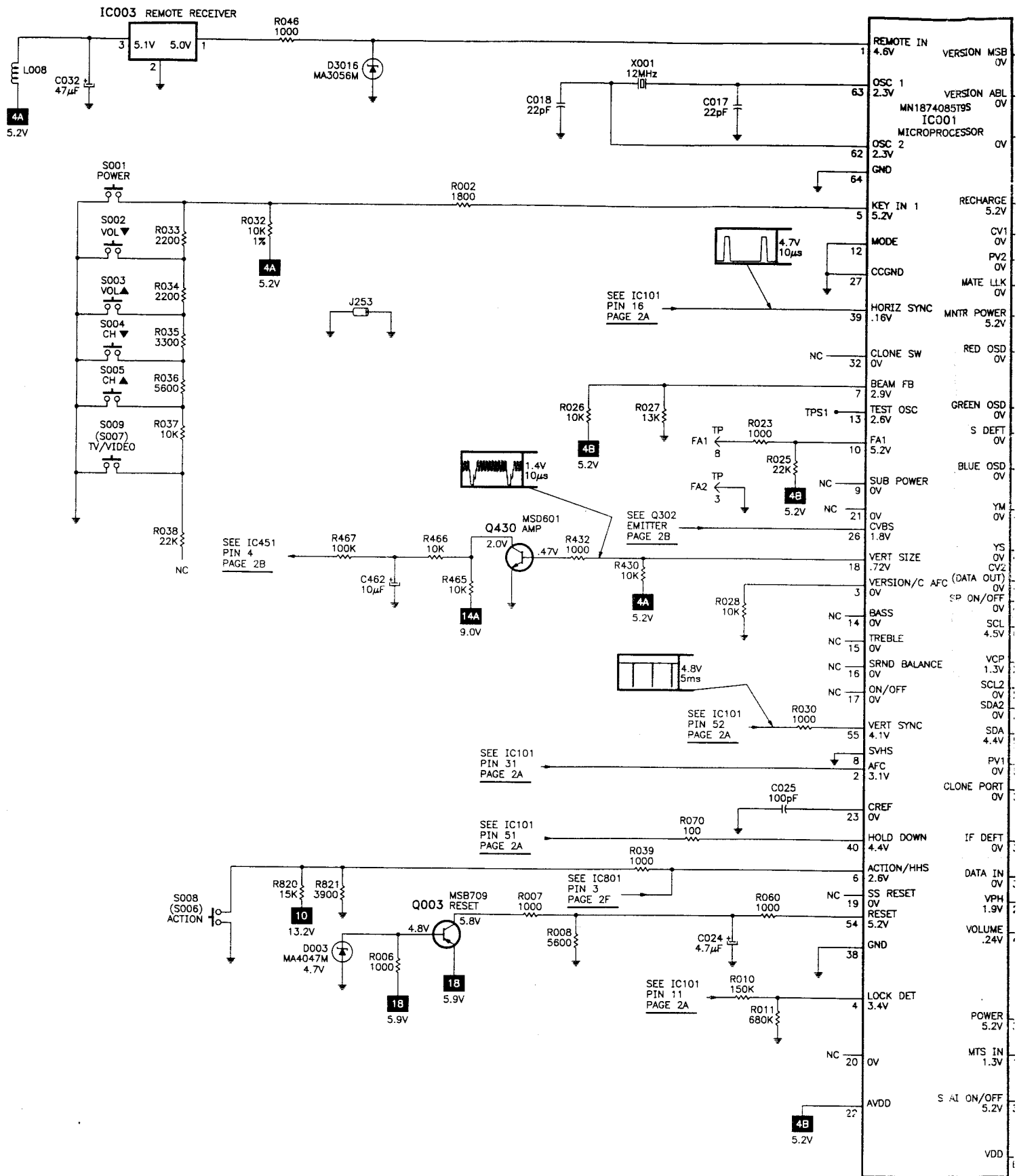
SEE IC001 PIN 39 PAGE 2G

**SCHEMATIC**



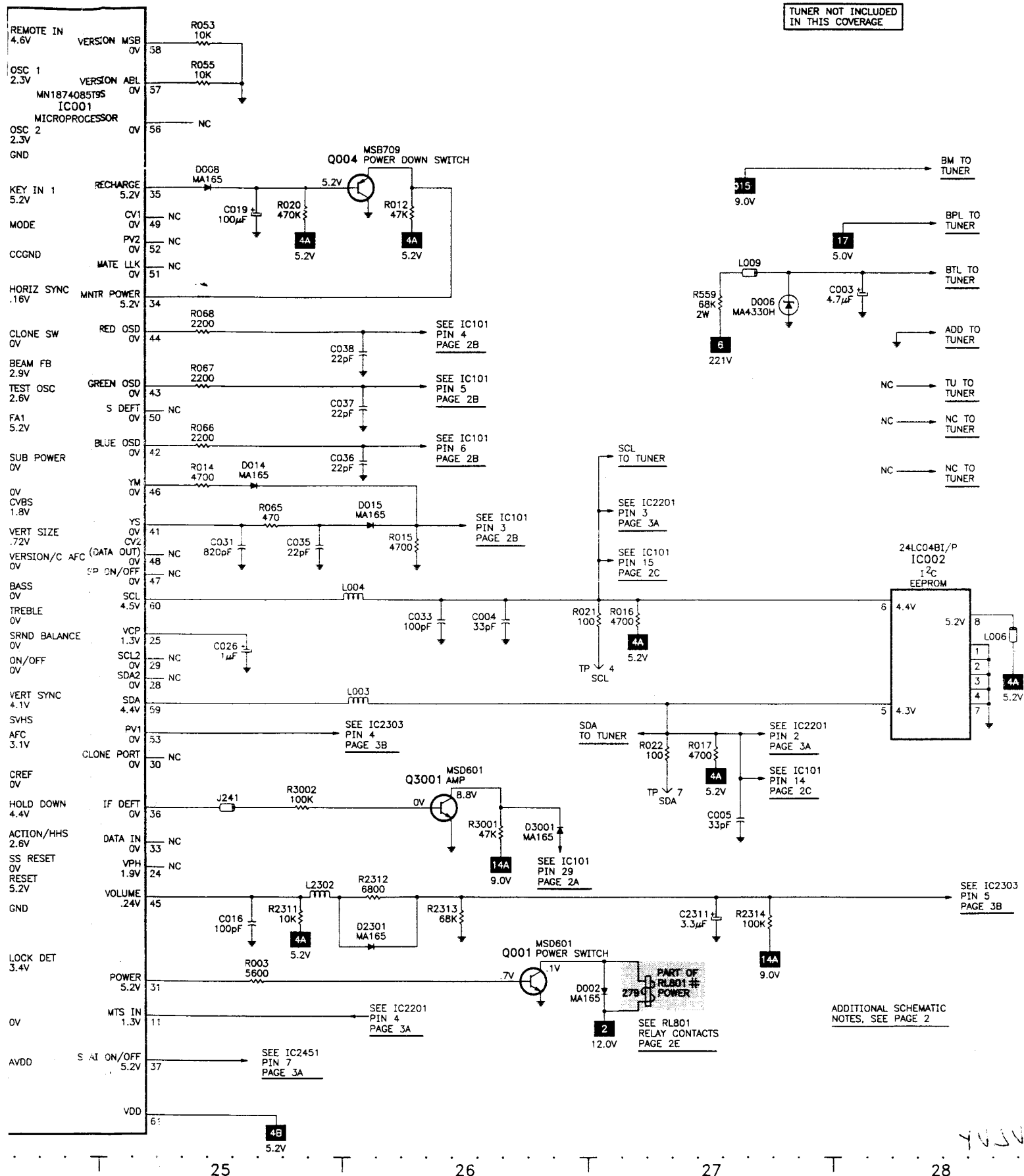
T 5 T 6 T 7 T 8 T 7

# SYSTEM CONTROL S



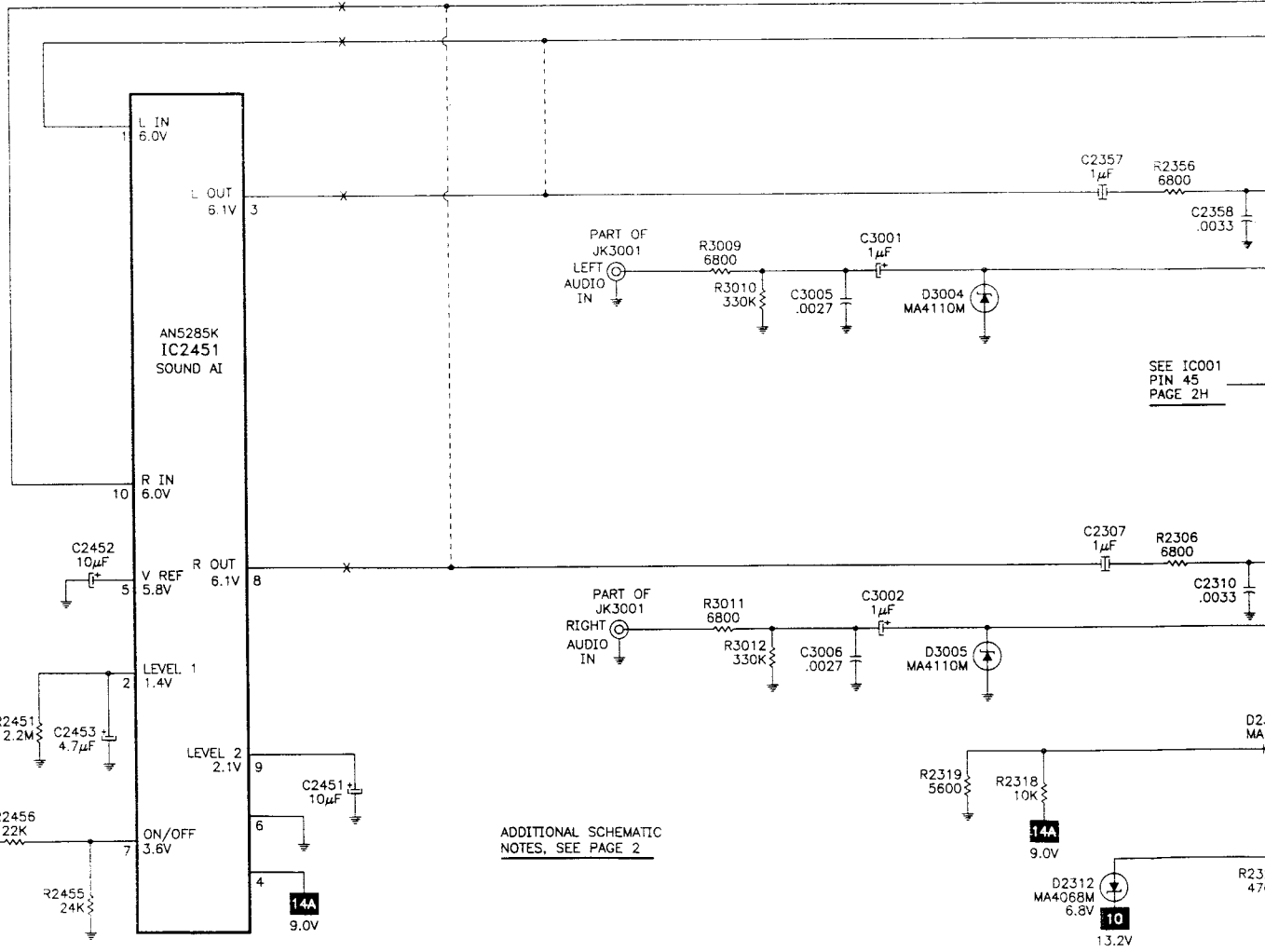
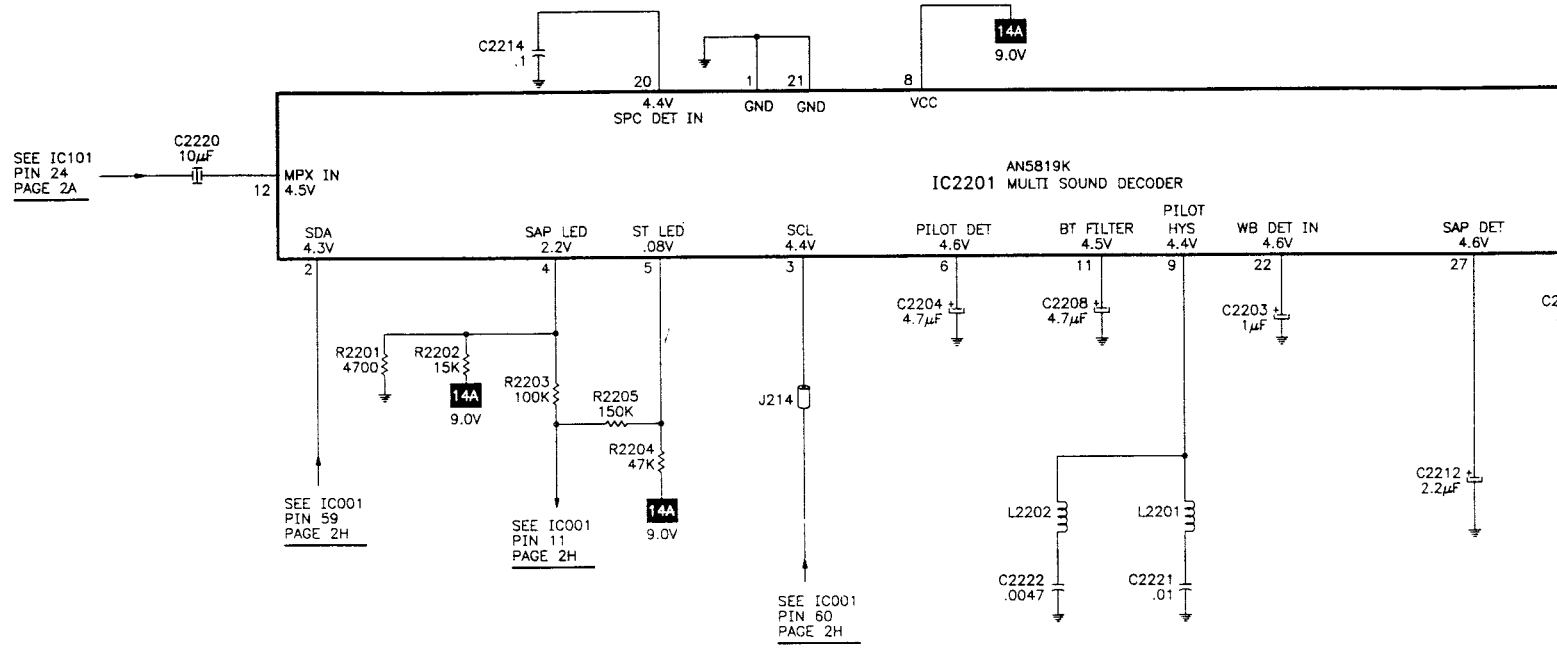
# CONTROL SCHEMATIC

TUNER NOT INCLUDED  
IN THIS COVERAGE



40330

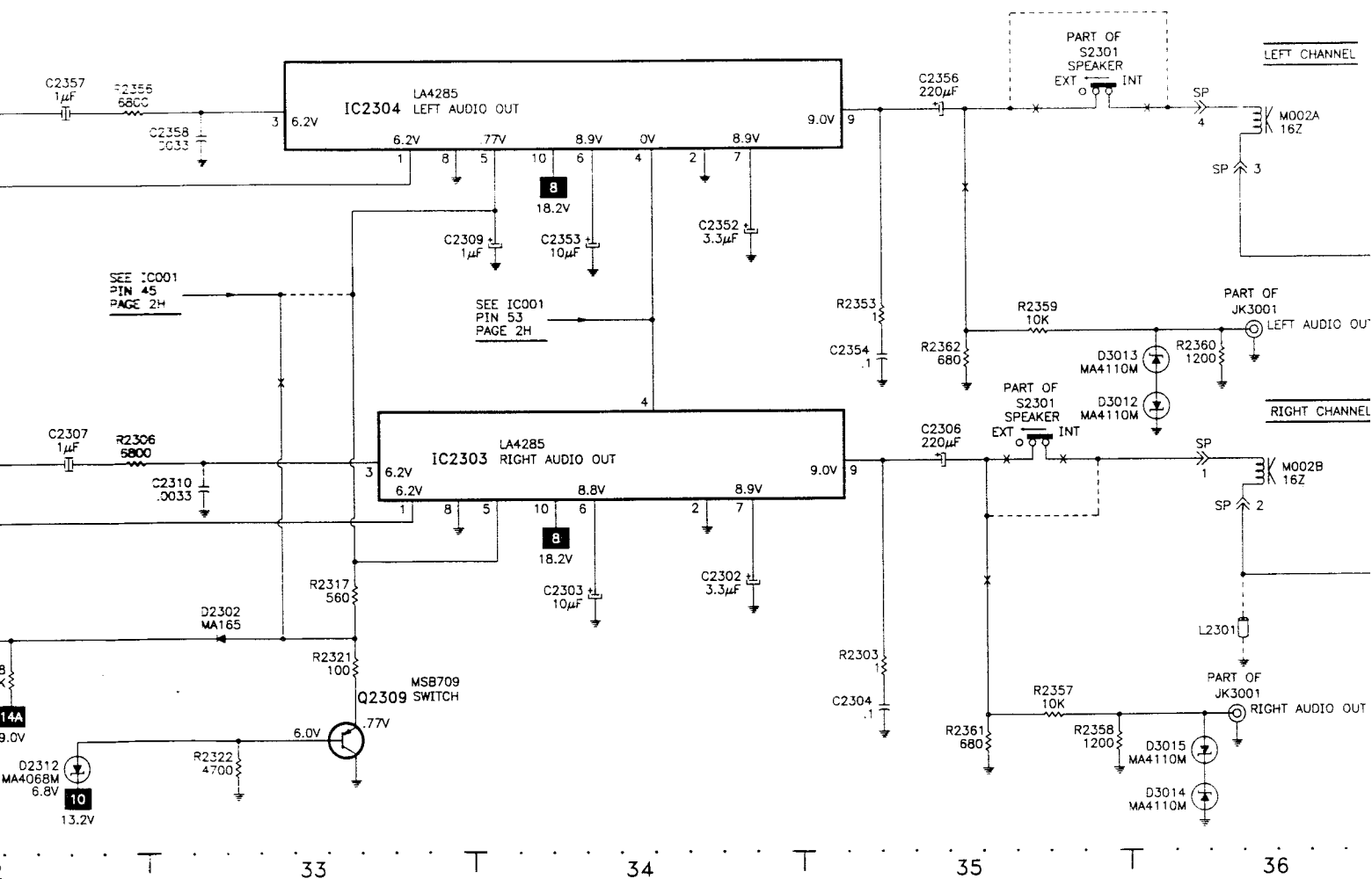
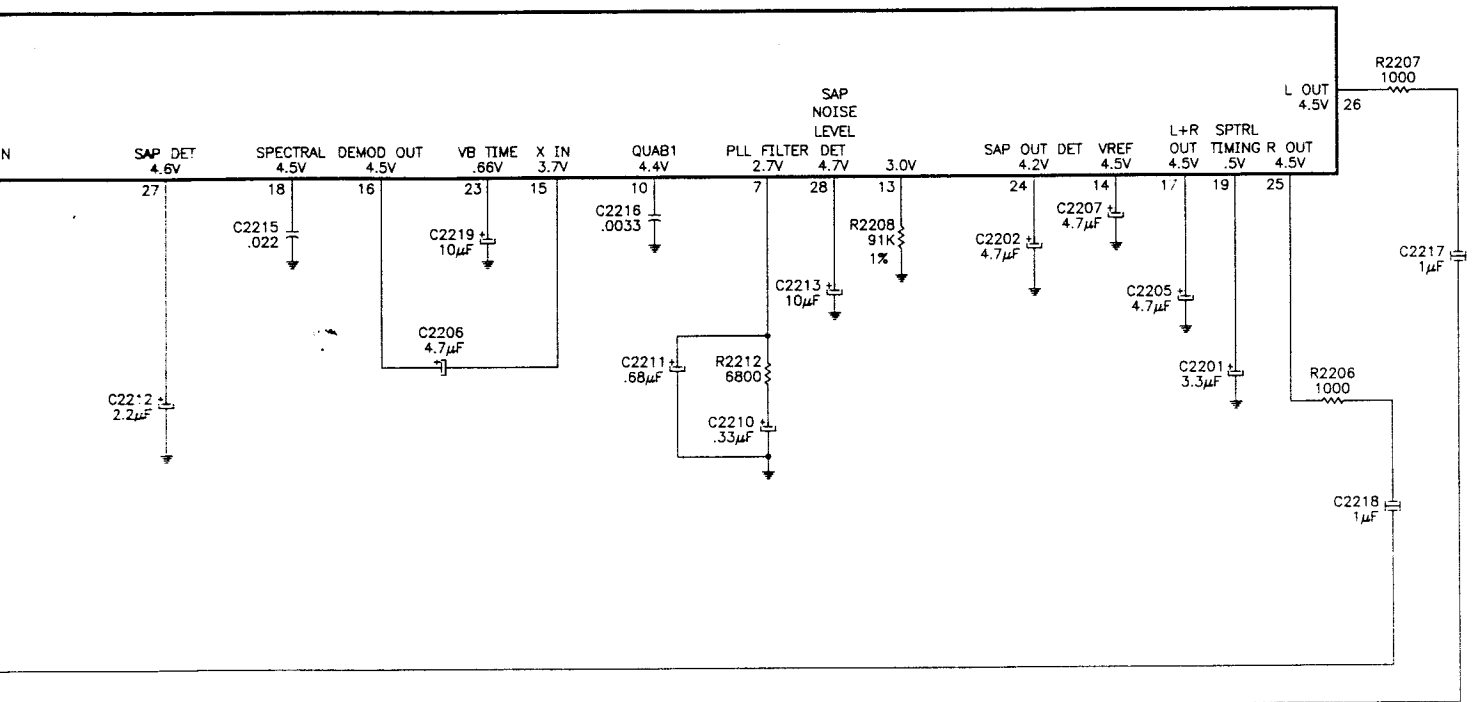
YVJV



ADDITIONAL SCHEMATIC NOTES, SEE PAGE 2

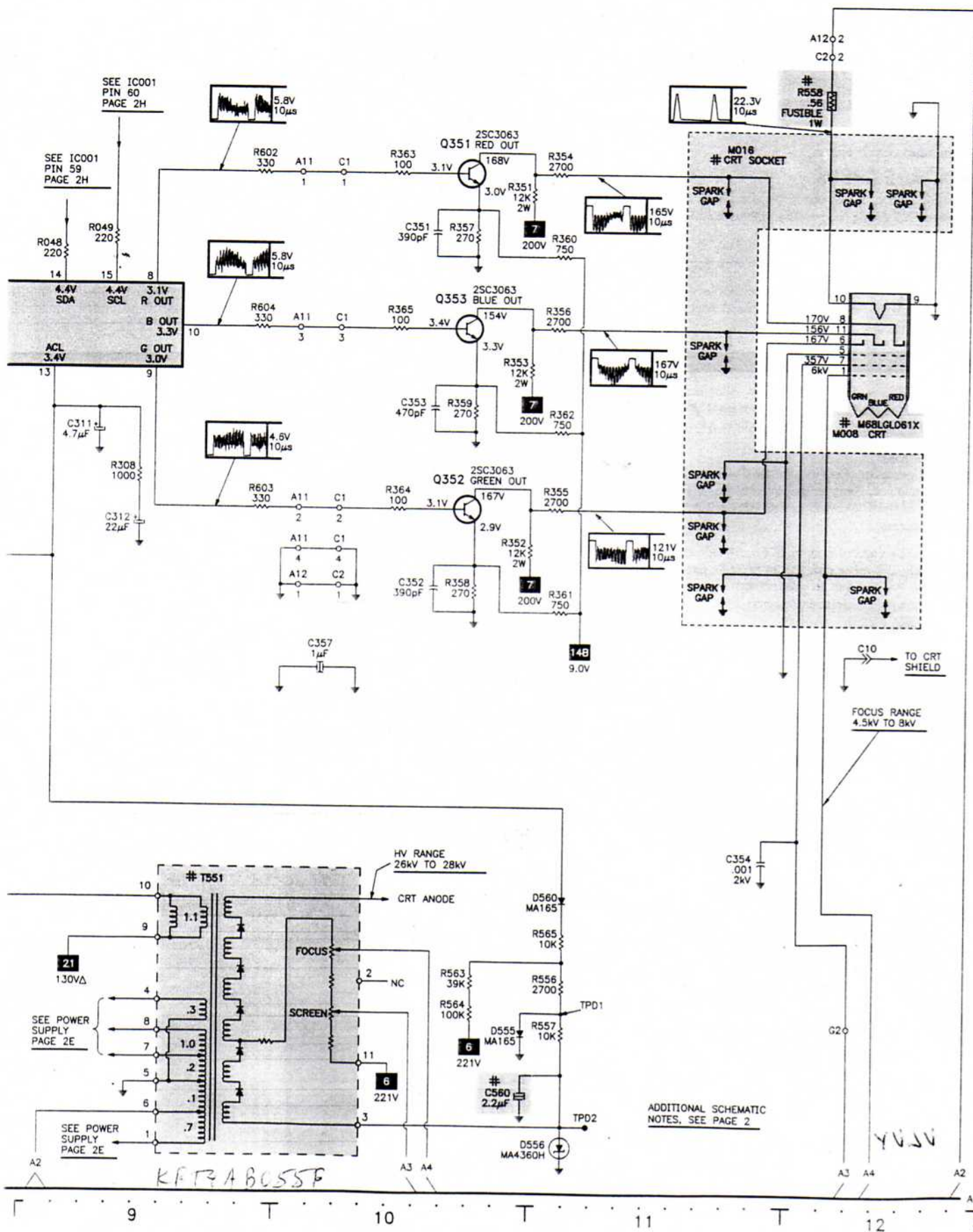
# DIO SCHEMATIC

B





# C TELEVISION SCHEMATIC continued



## SEMICONDUCTORS

(Select the replacement that gives the best results.)

Item No.	Type No.	Mfr. Part No.	NTE Part No.	ECG Part No.	TCE Part No.
D001	-	ERA15-01	NTE552	ECG552	SK9000
D002	-	MA165	NTE519	ECG519	SK3100
D003	-	MA4047M	NTE5009A	ECG5009A	SK4A7
D006	-	MA4330H	-	-	-
D008, 09, 11 D014 Thru	-	MA165	NTE519	ECG519	SK3100
D017	-	MA165	NTE519	ECG519	SK3100
D052	-	MA4068M	NTE5014A	ECG5014A	SK6A8
D451	-	ERA15-01	NTE552	ECG552	SK9000
D452	-	MA4047M	NTE5009A	ECG5009A	SK4A7
D453	-	MA165	NTE519	ECG519	SK3100
D501	-	MA4082L	-	-	-
# D531	-	AS01	NTE552	ECG552	SK9000
# D532	-	MA4062L	NTE5012A	ECG5012A	SK6A0
# D551	RU2N	TVSRU2N	NTE552	ECG552	SK9000
# D553, 54	AU02V0	AU02	NTE552	ECG552	SK9000
D555	-	MA165	NTE519	ECG519	SK3100
D556	-	MA4360H	-	-	-
D558	-	RS3FS	NTE552	ECG552	SK9000
# D559	-	BYD33G-113	-	-	-
D560	-	MA165	NTE519	ECG519	SK3100
# D561	AU02V0	AU02	NTE552	ECG552	SK9000
# D801 (1)	RM10B	RM10BLFA1	NTE125	ECG125	SK3081
# D801 (2)	-	GP15KL-042	-	-	-
# D802 (1)	RM10B	RM10BLFA1	NTE125	ECG125	SK3081
# D802 (2)	-	GP15KL-042	-	-	-
D806	-	MA4047H	NTE5009A	ECG5009A	SK4A7
D807	-	MA165	NTE519	ECG519	SK3100
D820, 21, 22	EU02	EU02V1	NTE551	ECG551	SK3125A
D823	-	RL30A	-	-	-
D824	EU02	EU02V1	NTE551	ECG551	SK3125A
# D825	TVSSR2KLV	TVSSR2KL	-	-	-
D826	EU02	EU02V1	NTE551	ECG551	SK3125A
D829	-	MA165	NTE519	ECG519	SK3100
D2301, 02	-	MA165	NTE519	ECG519	SK3100
D2312	-	MA4068M	NTE5014A	ECG5014A	SK6A8
D3001	-	MA165	NTE519	ECG519	SK3100
D3002, 04, 05	-	MA4110M	-	-	-
D3012 (3) Thru	-	-	-	-	-
D3015 (3)	-	MA4110M	-	-	-
D3016	-	MA3056M	-	-	-
IC001	-	MN1874085T9S	-	-	-
IC002	24LC04B1/P	24LC04BIP	-	-	-
# IC101	-	AN5165K	-	-	-
# IC451	-	LA7838	NTE7039	ECG7039	-
# IC551	-	AN78M09	NTE1902	ECG1910	SK3962
IC552	-	AN78M05	NTE960	ECG960	SK3591

## # For SAFETY use only equivalent replacement part.

(1) Used in models CT-27G13W, CT-27G13UW, CT-27G13DW, and CT-2754SCW.

(2) Used in models CT-27G3W, CT-27G3UW, and CT-27S6CW.

(3) Used in models CT-2754SCW, CT-27G13W, CT-27G13UW, CT-27G13DW, and CT-27S6CW.

## SEMICONDUCTORS continued

(Select the replacement that gives the best results.)

Item No.	Type No.	Mfr. Part No.	NTE Part No.	ECG Part No.	TCE Part No.
# IC801	-	0N3131R	NTE3098	ECG3098	SK10178
# IC803	-	STR58041A	NTE7078	ECG7078	-
IC2201	-	AN5819K	-	-	-
IC2303, 04	-	LA4285	-	-	-
IC2451 (3)	-	AN5285K	-	-	-
Q001	MSD601	MSD601-RT1	-	-	-
Q002	2SC1685Q	2SC1685QRS	NTE85	ECG85	SK9229
	-	JC501PQ	NTE85	ECG85	SK3124A
Q003	MSB709	MSB709-RT1	-	-	-
Q004	MSB709	MSB709-RT1	-	-	-
Q302	MSD601	MSD601-RT1	-	-	-
Q304	MSD601	MSD601-RT1	-	-	-
Q351	2SC3063RL	2SC3063	NTE157	ECG157	SK3747
Q352	2SC3063RL	2SC3063	NTE157	ECG157	SK3747
Q353	2SC3063RL	2SC3063	NTE157	ECG157	SK3747
Q430	MSD601	MSD601-RT1	-	-	-
Q451	MSD601	MSD601-RT1	-	-	-
Q452	MSD601	MSD601-RT1	-	-	-
Q501	2SC4212HLB	2SC4212H	-	-	-
# Q551	2SD2539LB	2SD2539MA1	-	-	-
Q801	2SC1685Q	2SC1685QRS	NTE85	ECG85	SK9229
Q802	2SC1685Q	2SC1685QRS	NTE85	ECG85	SK9229
	-	JC501PQ	NTE85	ECG85	SK3124A
Q804	-	2SA1767Q	-	-	-
Q2309	MSB709	MSB709-RT1	-	-	-
Q3001	MSD601	MSD601-RT1	-	-	-

# For SAFETY use only equivalent replacement part.

(3) Used in models CT-2754SCW, CT-27G13W, CT-27G13UW, CT-27G13DW, and CT-27S6CW.