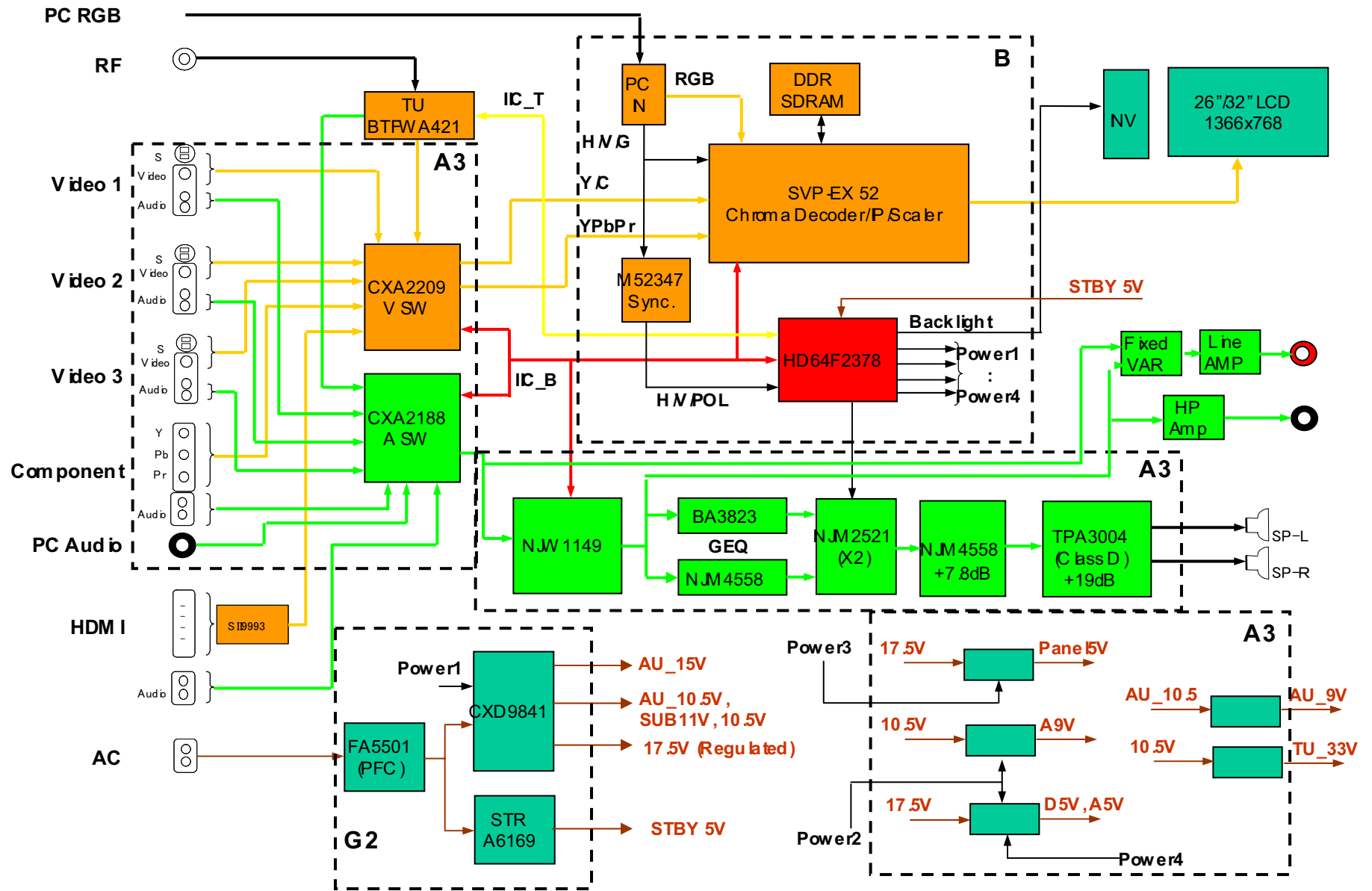
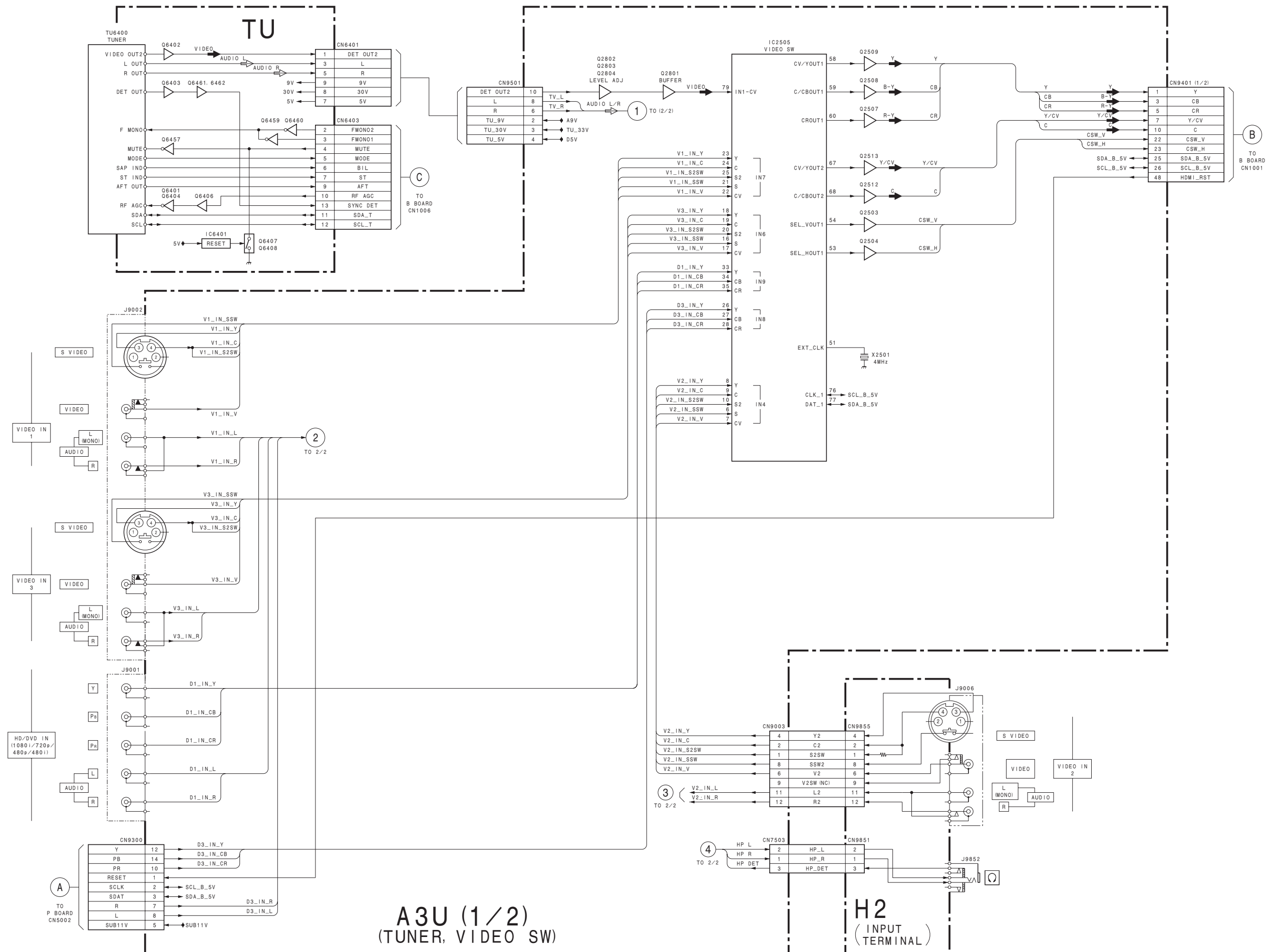


3-3. DIAGRAMA EM BLOCOS

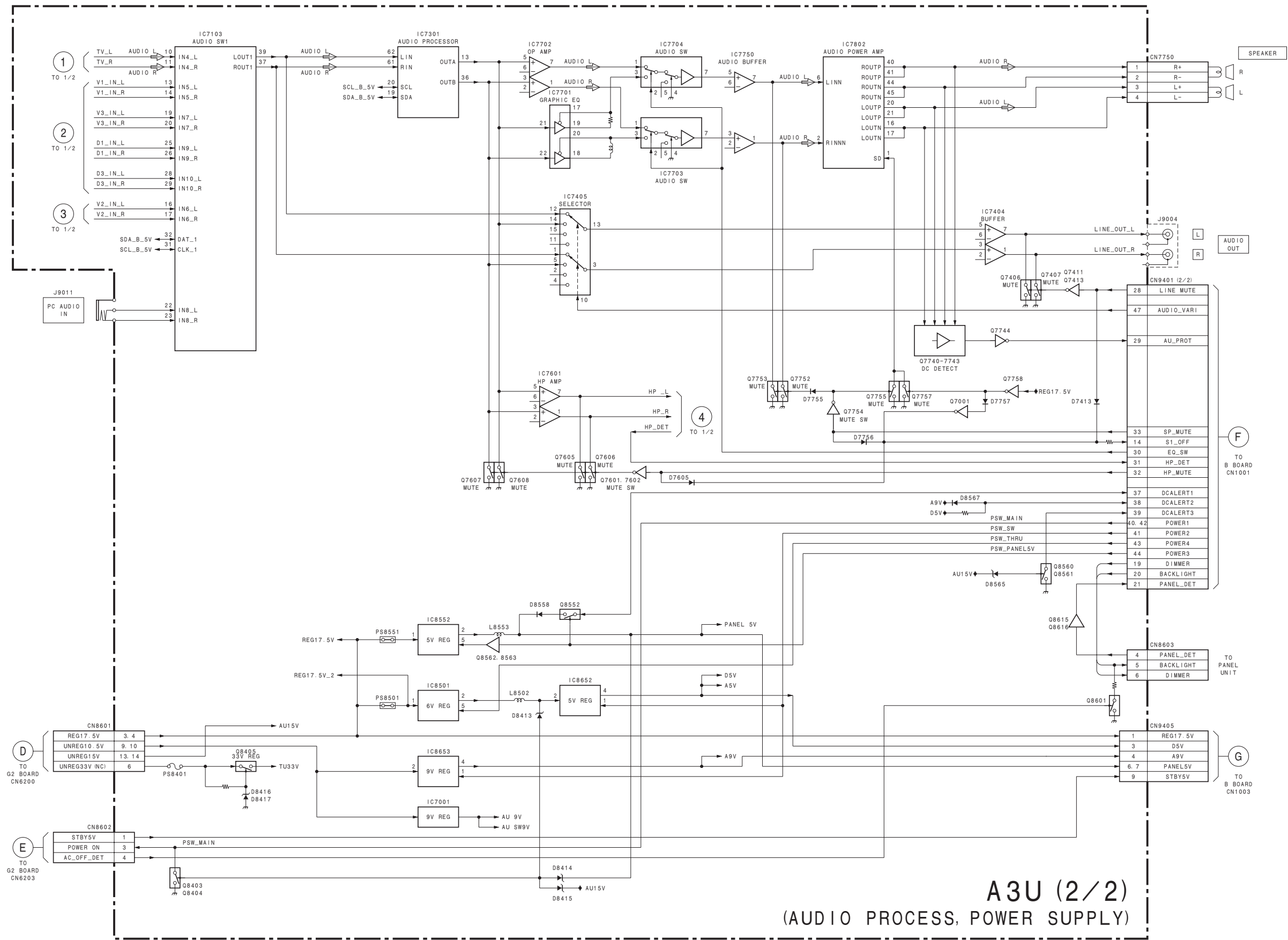


SECTION 4 DIAGRAMS

4-1. BLOCK DIAGRAMS (1) A3U (1/2), TU and H2 Boards

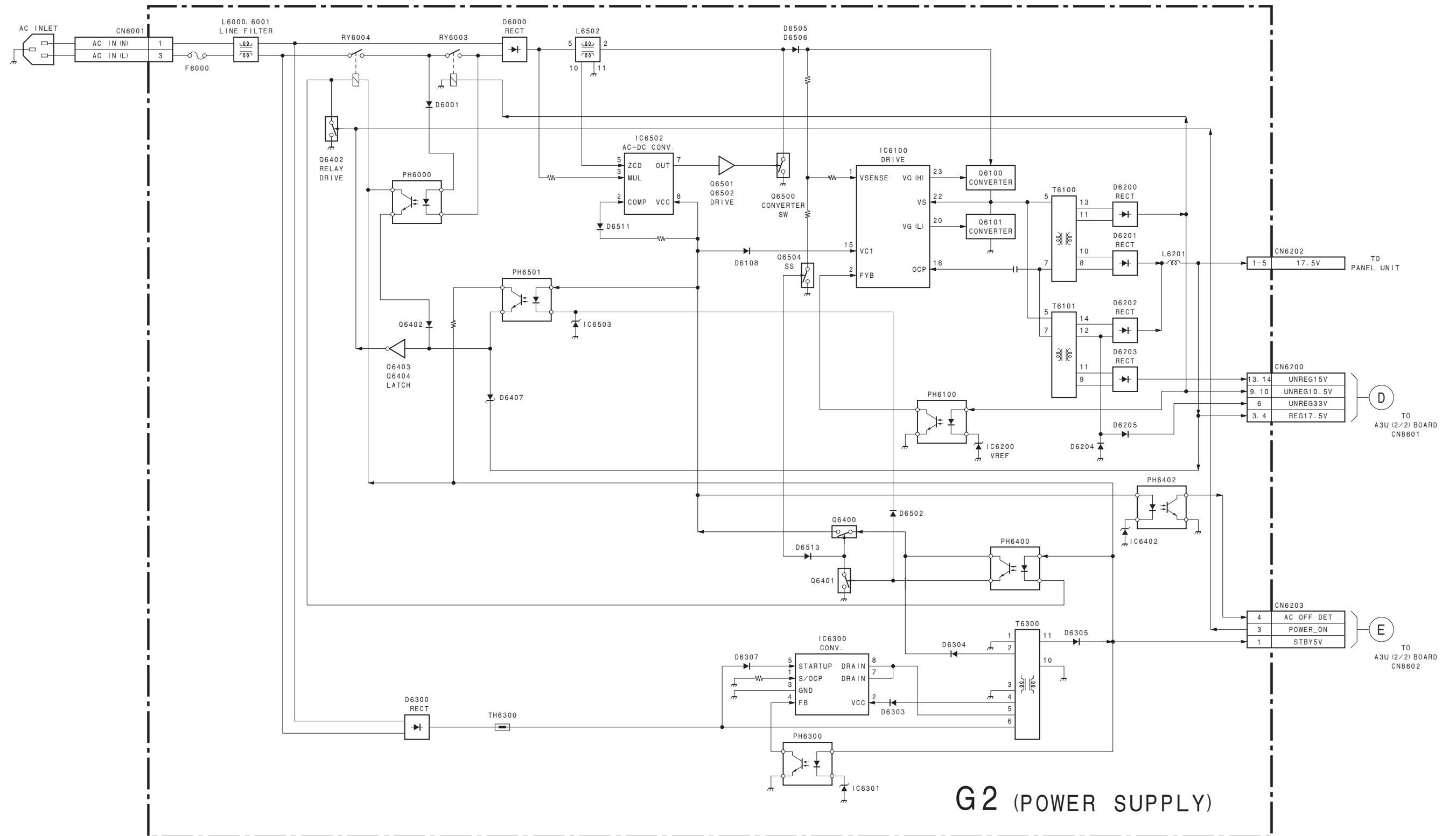


(2) A3U (2/2) Board

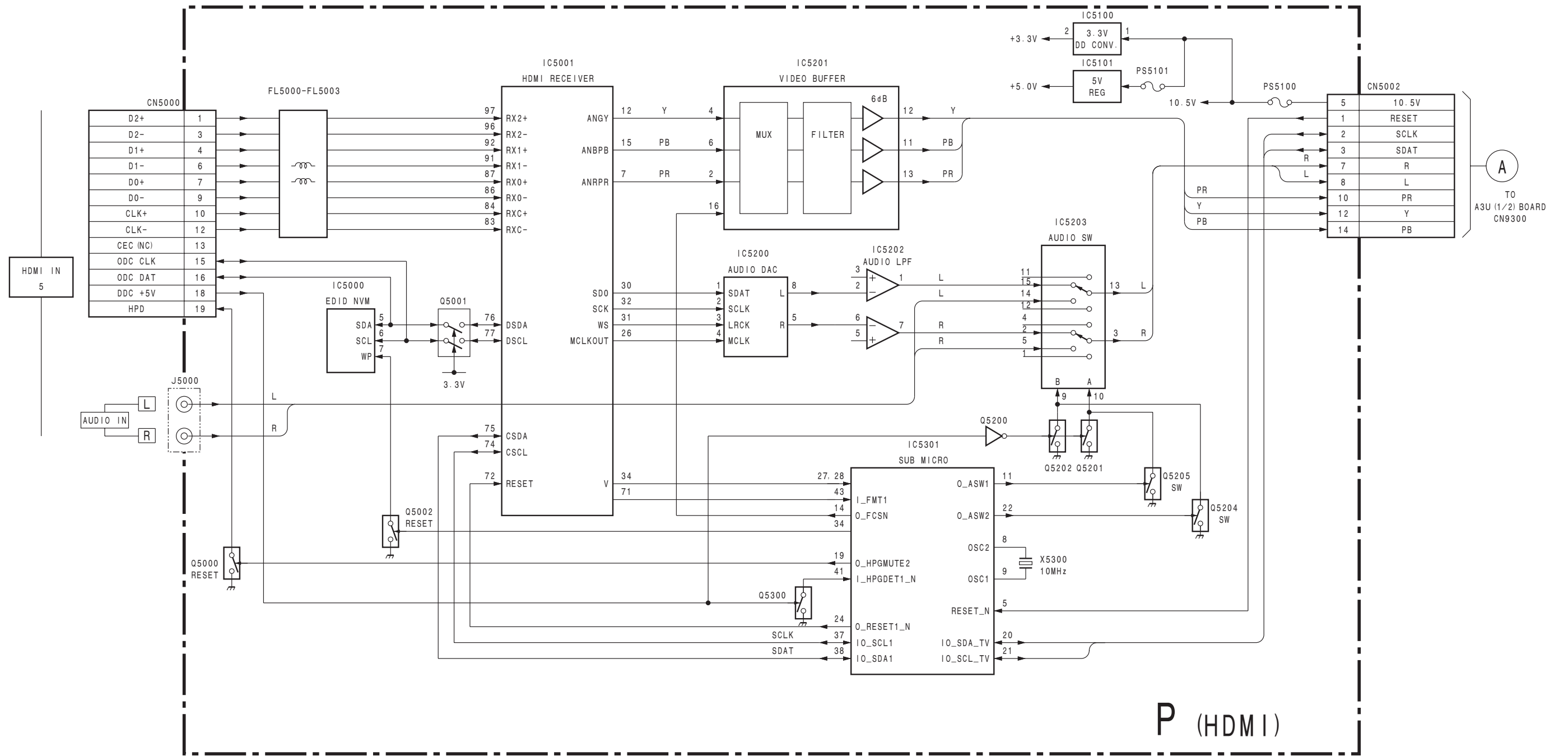


A3U (2/2)
(AUDIO PROCESS, POWER SUPPLY)

(4) G2 Board



(5) P Board



4-2. FRAME DIAGRAMS

