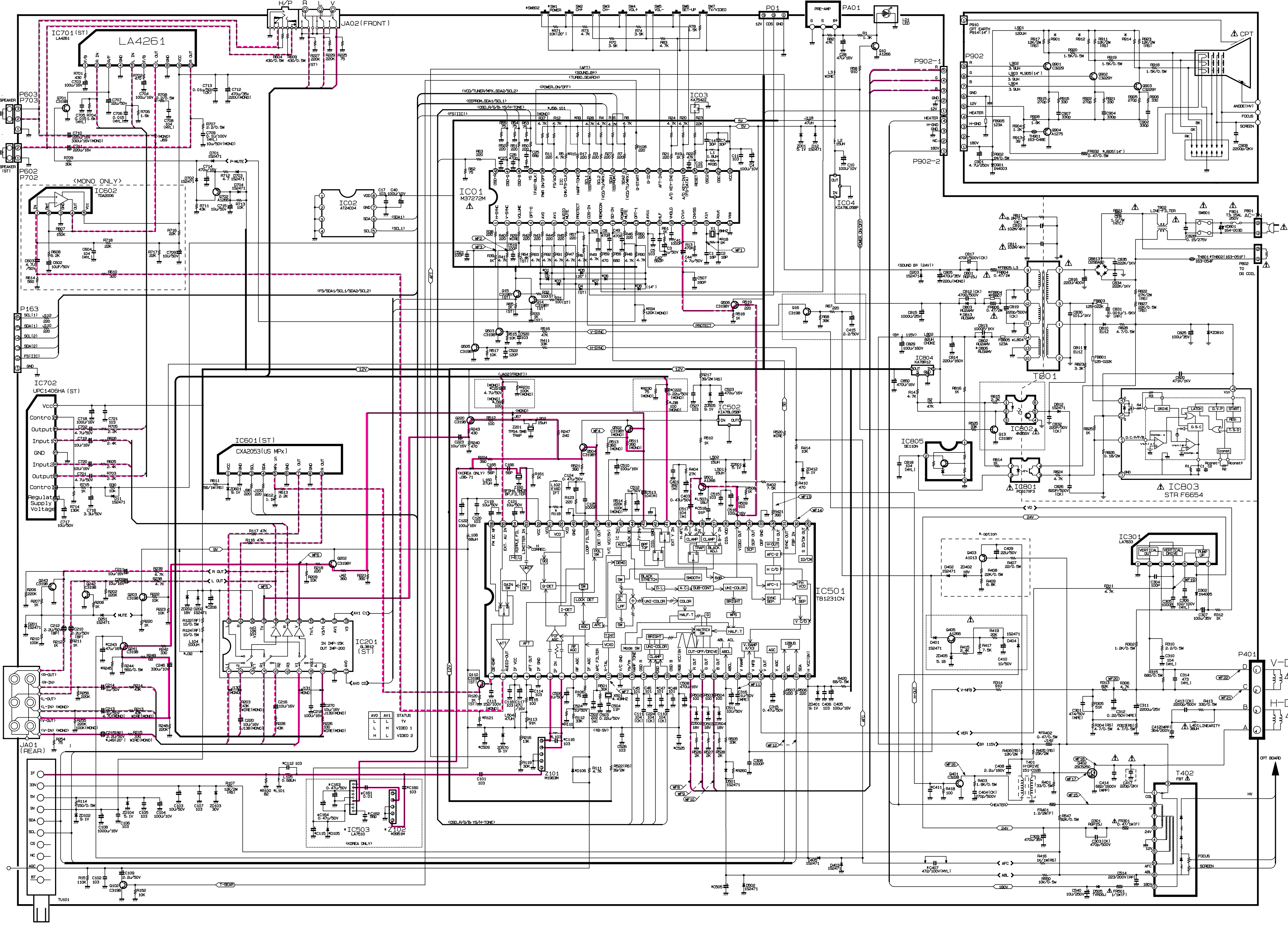
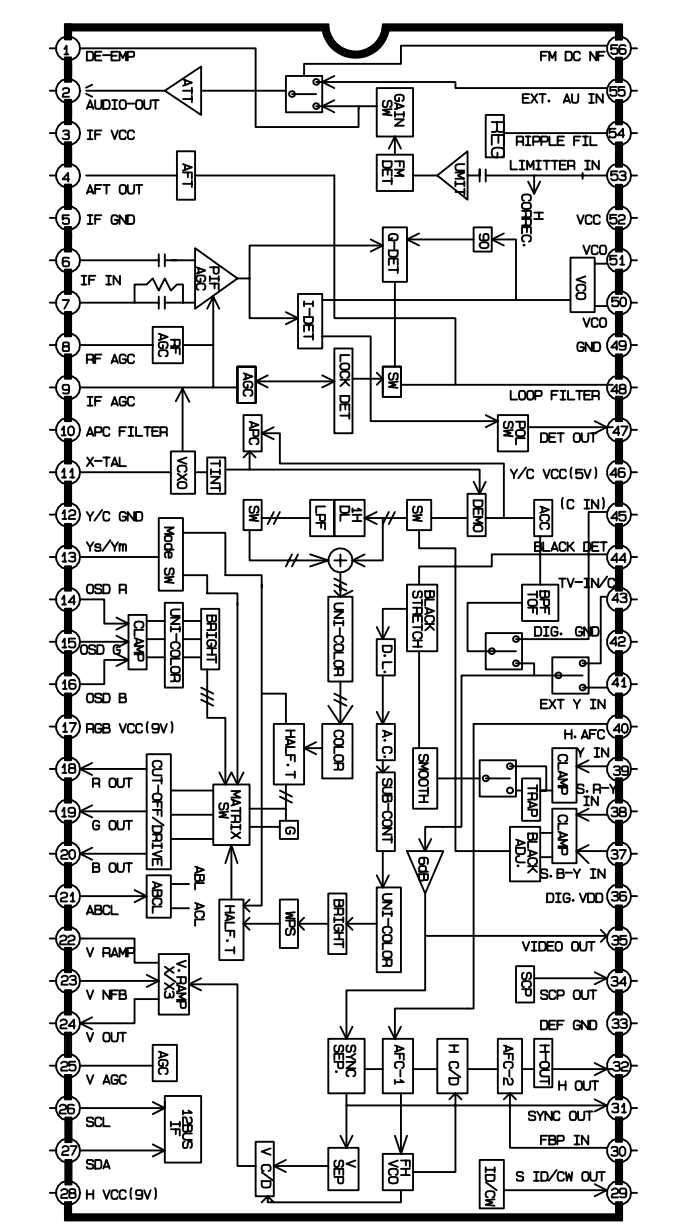


MC-83A SCHEMATIC DIAGRAM

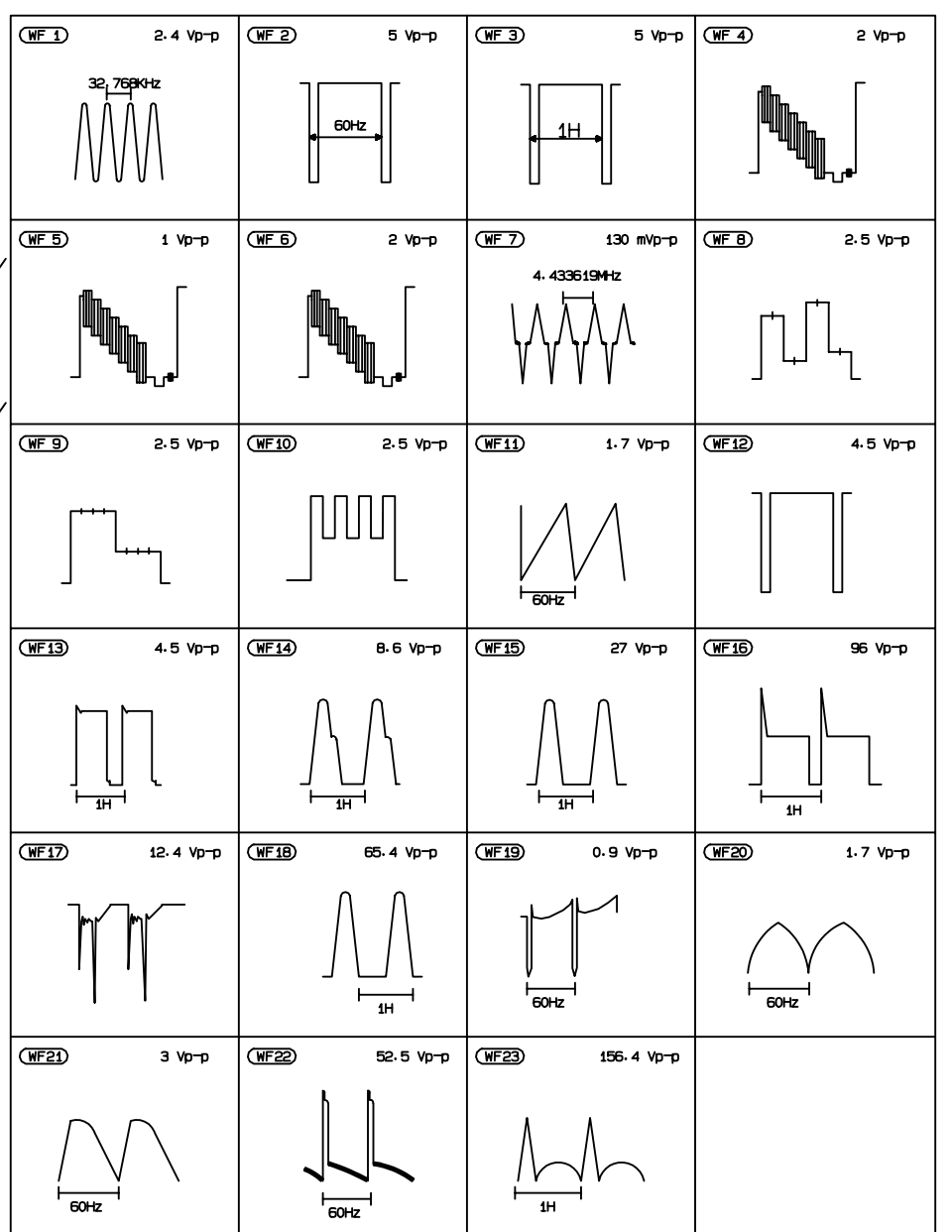


WARNING BEFORE SERVICING THIS CHASSIS READ 'X-RAY RADIATION PRECAUTION', 'SAFETY PRECAUTION' AND PRODUCT SAFETY NOTICE IN THIS MANUAL.

CAUTION: THE MARKS IN THE SCHEMATIC DIAGRAM AND THE PARTS LIST DESIGNATE COMPONENTS WHICH HAVE SPECIAL CHARACTERISTICS FOR SAFETY, AND SHOULD BE REPLACED ONLY WITH TYPES IDENTICAL TO THOSE IN THE ORIGINAL CIRCUIT. SPECIFIED IN THE PARTS LIST. BEFORE REPLACING ANY OF THESE COMPONENTS, PLEASE CAREFULLY THE PRODUCT SAFETY NOTICE IN THIS MANUAL. DO NOT DEGRADE THE SAFETY OF THE RECEIVER THROUGH IMPROPER SERVICING.



WAVE FORM



Part No.	Value	Part No.	Value	Part No.	Value	Part No.	Value	Part No.	Value	Part No.	Value	Part No.	Value	Part No.	Value	Part No.	Value	Part No.	Value	Part No.	Value	Part No.	Value	Part No.	Value	Part No.	Value	Part No.	Value	Part No.	Value	Part No.	Value	Part No.	Value	Part No.	Value	Part No.	Value																																																																																																																																																												
R34	100K	R107	8.2K/2W	R217	39/2W	R302	1.2K/0.5W	R303	4.7/0.5W	R304	4.7/0.5W	R305	56K	R315	560/0.5W	R405	20K/2W	R406	20K/2W	R547	130K/0.5W	R816	1K	R906	330	R916	330	R917	330	R918	270	R919	270	R920	270	R921	270	R922	270	R923	270	R924	270	R925	270	R926	270	R927	270	R928	270	R929	270	R930	270	R931	270	R932	270	R933	270	R934	270	R935	270	R936	270	R937	270	R938	270	R939	270	R940	270	R941	270	R942	270	R943	270	R944	270	R945	270	R946	270	R947	270	R948	270	R949	270	R950	270	R951	270	R952	270	R953	270	R954	270	R955	270	R956	270	R957	270	R958	270	R959	270	R960	270	R961	270	R962	270	R963	270	R964	270	R965	270	R966	270	R967	270	R968	270	R969	270	R970	270	R971	270	R972	270	R973	270	R974	270	R975	270	R976	270	R977	270	R978	270	R979	270	R980	270	R981	270	R982	270	R983	270	R984	270	R985	270	R986	270	R987	270	R988	270	R989	270	R990	270	R991	270	R992	270	R993	270	R994	270	R995	270	R996	270	R997	270	R998	270	R999	270	R1000	270

VIDEO
AUDIO
Y
C